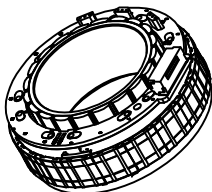
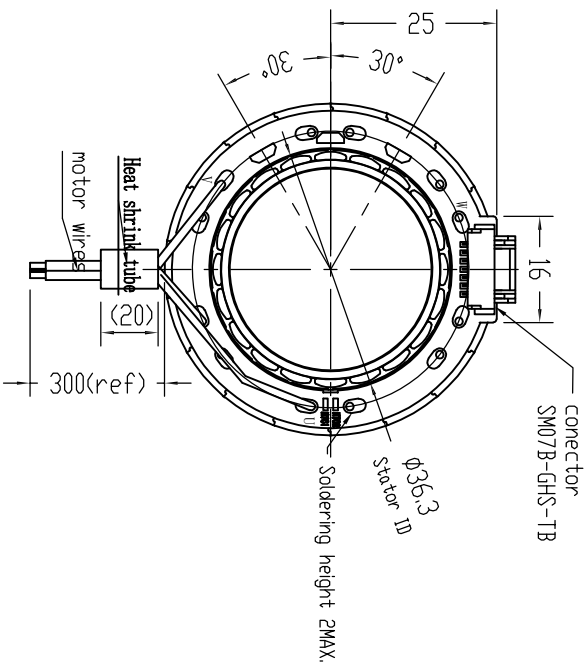
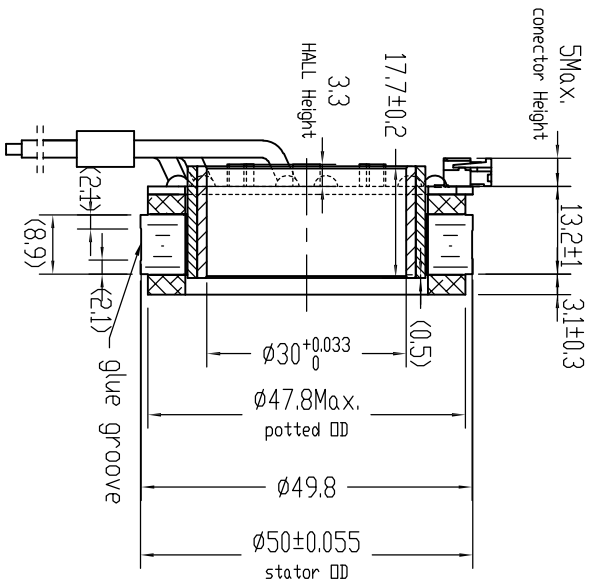
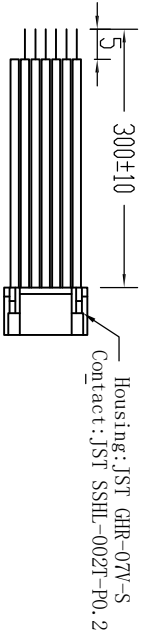


50ZWC15X-1

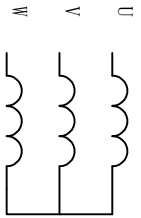
DING'S MOTION DATE CODE



HALL and NTC Lead wires with housing



CUSTOMER



Motor Lead wires

UL1332	PHASE U	YEL
20AWG	PHASE V	RED
	PHASE W	BLK

Hall Lead wires

UL1061	+5 VDC	RED
26AWG	HALL U	BLU
	HALL V	GRN
	HALL W	WHT
	GND	BLK

NTC Lead wires	
UL1061	NTC2
26AWG	NTC1
	YEL

REV	DATE	DESCRIPTION	BY
00	20240119	ORIGINAL	YAN
01	20240122	UPDATE_ALL LEAD WIRES COLOR	YAN
02	20240418	CANCEL_POTTED_ID, INSULATION_CLASS_B_WAS_F UPDATED_ROTOR_HEIGHT_17.7_WAS_16.8	YAN
03	20240617	UPDATE_ROTOR_AND_STATOR_WEIGHT	YAN
04	20240808	ADD_LEAD_WIRES_ILLUSTRATION	YAN

NOTE: 1、列表内峰值力矩测试基于电机稳态常温。
2、列表内电机性能参数基于开环驱动，非闭环驱动。

REDUCTION RATIO	-	DIELECTRICAL STRENGTH	500V 1s 1mA
POLE PAIRS	-	INSULATION RESISTANCE	100MΩmin 20C
RATED CURRENT	A	MOUNTING TYPE	IM B5 V1 V3
RATED SPEED	RPM	DUTY TYPE	-
RATED TORQUE	N-m	COOLING TYPE	IC410
RATED POWER	W	PROTECTION GRADE	IP00
RATED VOLTAGE	VDC	INSULATION CLASS	F
PEAK TORQUE1	N-m	WEIGHT OF STATOR	~73g
TORQUE CONSTANT	N-m/A	WEIGHT OF ROTOR	~37g
NO LOAD SPEED	RPM	ROTOR INERTIA	~100g·cm ²

THIS DRAWING IS ONLY CONDITIONALLY ISSUED, AND FOR THE SOLE PURPOSE OF IMPROVING LICENSEES AND ASSOCIATE CONTRACTORS OF DING'S MOTION, AND VISORS THEREOF AND CUSTOMERS THEREOF. ACCEPT OR REVISION THEREOF DOES NOT COVER TO TRANSFER ANY RIGHT IN THE SUBJECT MATTER OF THE DESIGN, CONSTRUCTION, TECHNICAL INFORMATION AND ALL OTHER SUBJECT MATTER IN THIS DRAWING AND NOT BEHIND, EXCEPT AS MAY BE OTHERWISE INDICATED BY THE FINAL FOR LICENSED MANUFACTURE, AND BY VISORS MANUFACTURING FOR SAID CORPORATION AND ONLY FOR LICENSEES AND ASSOCIATE CONTRACTORS.

DIMENSIONS OTHERWISE SPECIFIED		DRWN	LJU	JIN	DATE	20250320
ALL DIMENSIONS ARE IN MILLIMETERS AND TOLERANCES ARE AS BELOW		APRV			DATE	
LINEAR	ANGULAR					
0-3	±0.2					
3-6	±0.5					
6-30	±1					
30-120	±2					
		50ZWC15X-1			SCALE	1:2

