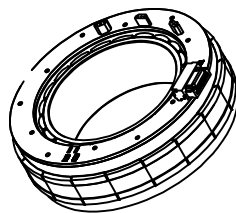
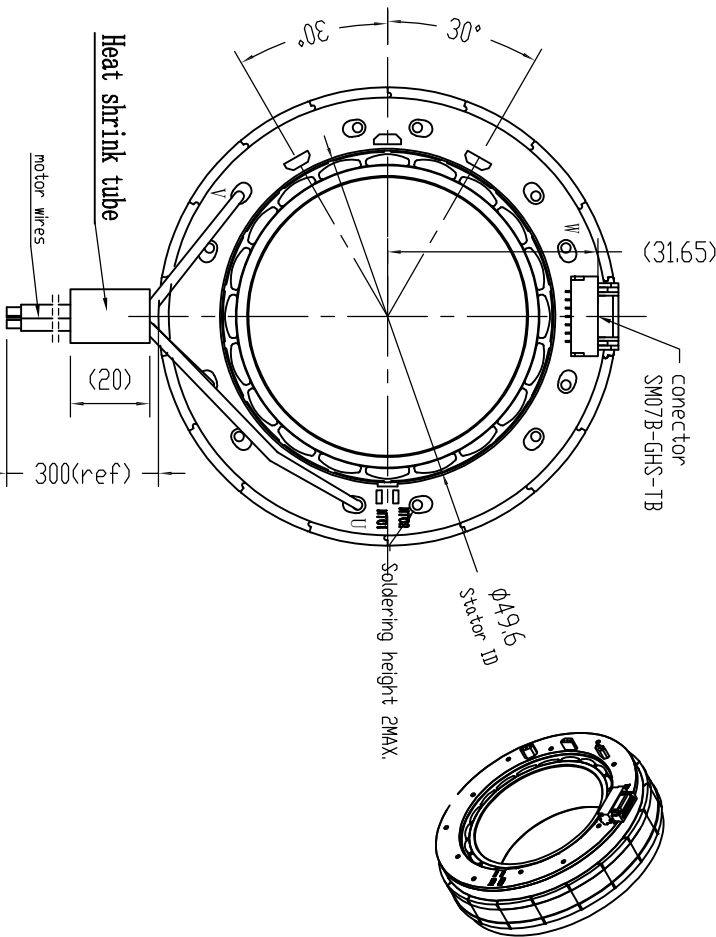
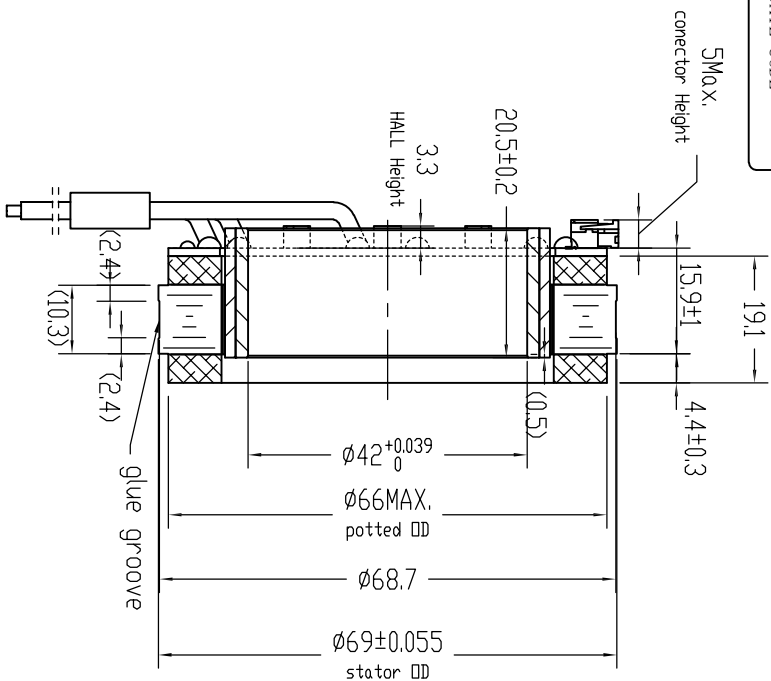
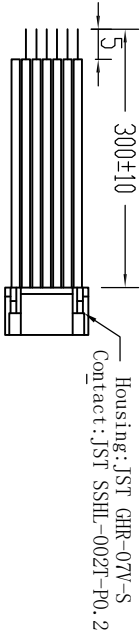


70ZWC20X-1

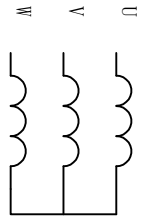
DINGS' MOTION DATE CODE



HALL and NTC Lead wires with housing



CUSTOMER



Motor Lead wires

U	UL1332	PHASE U	YEL
V	20AWG	PHASE V	RED
W		PHASE W	BLK

Hall Lead wires

UL1061	26AWG	+5 VDC	RED
NTC2		HALL U	BLU
NTC1		HALL V	GRN
		HALL W	WHT
		GND	BLK

NTC Lead wires

UL1061	26AWG	NTC2	BRN
		NTC1	YEL

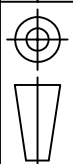
NOTE: 1、The peak torque test is based on motor at ordinary temperature
2、Motor performance data is based on open loop drive, Not closed loop drive

REDUCTION RATIO	-	DIELECTRICAL STRENGTH	500V 1s 1mA
POLE PAIRS	-	INSULATION RESISTANCE	100MΩmin 20C
RATED CURRENT	A	MOUNTING TYPE	IM B5 V1 V3
RATED SPEED	RPM	DUTY TYPE	-
RATED TORQUE	N-m	COOLING TYPE	IC410
RATED POWER	W	PROTECTION GRADE	IP00
RATED VOLTAGE	VDC	INSULATION CLASS	F
PEAK TORQUE1	N-m	WEIGHT OF STATOR	~172g
TORQUE CONSTANT	N-m/A	WEIGHT OF ROTOR	~71g
NO LOAD SPEED	RPM	ROTOR INERTIA	~358g·cm ²

THIS DRAWING IS ONLY CONDITIONALLY ISSUED, AND FOR THE SOLE PURPOSE OF INFORMING LICENSEES AND ASSOCIATE CONTRACTORS OF DINGS' MOTION, AND VENDORS THEREOF AND CUSTOMERS THEREOF. ACCEPT OR REVISION THEREOF DOES NOT COVER TO TRANSFER ANY RIGHT IN THE SUBJECT MATTER OF THE DRAWING, CONSTRUCTION, TECHNICAL INFORMATION AND ALL OTHER SUBJECT MATTER IN THIS DRAWING AND BIDDING, EXCEPT AS MAY BE OTHERWISE INDICATED BY THE ONLY THE LICENSED MANUFACTURER, AND BY VENDORS MANUFACTURING FOR SAID CORPORATION AND ONLY FOR LICENSEES AND ASSOCIATE CONTRACTORS.

INDICES OTHERWISE SPECIFIED		DRWN	yan	DATE	20240310
ALL DIMENSIONS ARE IN MILLIMETERS AND TOLERANCES ARE AS SHOWN		APRV		DATE	
LINEAR	ANGULAR				
0-3	±0.2	0-10	±1.5°		
3-6	±0.5	10-50	±1°		
6-30	±1	50-120	±0.5°		
30-120	±2	120-400	±0.25°		
70ZWC20X-1				SCALE	1:2

DINGS' MOTION



REV	DATE	DESCRIPTION	BY
05	20240419	CANCEL POTTED ID, INSULATION CLASS B WAS F	YAN
06	20240617	UPDATED ROTOR HEIGHT_20.5 WAS_20 UPDATE ROTOR AND STATOR WEIGHT	YAN
07	20240808	ADD LEAD WIRES ILLUSTRATION, ADD KT	YAN