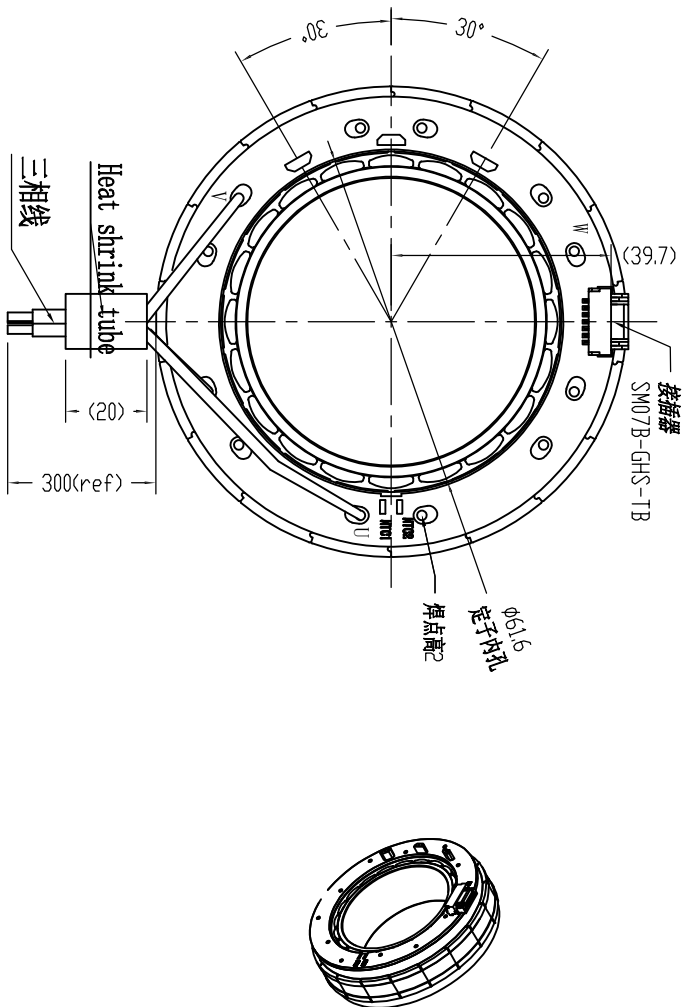
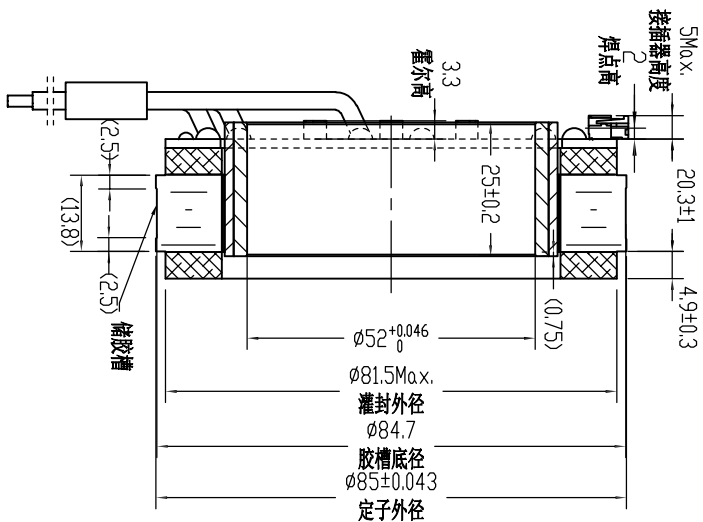


85ZWC25X-1

DING'S MOTION DATE CODE

REV	DATE	DESCRIPTION	BY
00	20240126	ORIGINAL	YAN
01	20240417	CANCEL_POTTED_ID, UPDATED_PCB_THICKNESS 1.6MM WAS 1.2MM UPDATED_ROTOR_HEIGHT 25 WAS 24, 20.3 WAS 19.9 , INSULATION CLASS B WAS F	YAN
02	20240617	UPDATE ROTOR AND STATOR WEIGHT	YAN
03	20240808	ADD LEAD WIRES ILLUSTRATION, ADD KT	YAN



NOTE: 1、列表内峰值力矩测试基于电机稳态常温。
2、列表内电机性能参数基于鼎智公司开环驱动，非闭环驱动。

REDUCTION RATIO		-		DIELECTRICAL STRENGTH		500V 1s 1mA	
POLE PAIRS	-	10	-	INSULATION RESISTANCE	100MΩmin 20C		
RATED CURRENT	A	10.3(REF)	-	MOUNTING TYPE	IM B5 V1 V3		
RATED SPEED	RPM	3100	-	DUTY TYPE	IC410		
RATED TORQUE	N-m	1.3	-	COOLING TYPE	IP00		
RATED POWER	W	422	-	PROTECTION GRADE	B 130C		
RATED VOLTAGE	VDC	48	-	INSULATION CLASS	B 130C		
PEAK TORQUE1	N-m	3.9	-	WEIGHT OF STATOR	~315g		
TORQUE CONSTANT	N-m/A	0.16	-	WEIGHT OF ROTOR	~135g		
NO LOAD SPEED	RPM	3650	-	ROTOR INERTIA	~1086g·cm ²		

THIS DRAWING IS ONLY CONDITIONALLY ISSUED, AND FOR THE SOLE PURPOSE OF INFORMING LICENSEES AND ASSOCIATE CONTRACTORS OF DING'S MOTION, AND VENDORS THEREOF AND CUSTOMERS THEREOF. ACCEPT OR REVISION THEREOF DOES NOT CONVEY TO TRANSFER ANY RIGHT IN THE SUBJECT MATTER OF THE DRAWING. THE DESIGN, CONSTRUCTION, TECHNIQUE, INFORMATION AND ALL OTHER SUBJECT MATTER IN THIS DRAWING ARE THE PROPERTY OF DING'S MOTION AND SHALL REMAIN THE PROPERTY OF DING'S MOTION. NO PART OF THIS DRAWING IS TO BE REPRODUCED OR TRANSMITTED IN ANY FORM OR BY ANY MEANS, ELECTRONIC OR MECHANICAL, INCLUDING PHOTOCOPYING, RECORDING, OR BY ANY INFORMATION STORAGE AND RETRIEVAL SYSTEM, WITHOUT THE WRITTEN PERMISSION OF DING'S MOTION. ALL DIMENSIONS ARE IN MILLIMETERS AND TOLERANCES ARE AS SHOWN UNLESS OTHERWISE SPECIFIED.

CUSTOMER		Motor lead wires		Hall lead wires	
U	UL1332	PHASE U	YEL	UL1061	+5 VDC
V	16AWG	PHASE V	RED	UL1061	HALL U
W		PHASE W	BLK	UL1061	HALL V
				UL1061	HALL W
				UL1061	GND

INDICES OTHERWISE SPECIFIED
ALL DIMENSIONS ARE IN MILLIMETERS
AND TOLERANCES ARE AS SHOWN
UNLESS OTHERWISE SPECIFIED

0-3	±0.2	0-10	±1.5°
3-6	±0.5	10-50	±1°
6-30	±1	50-120	±0.5°
30-120	±2	120-400	±0.25°

DRWN: yan DATE: 20240126
APRV: DATE:

85ZWC25X-1

SIZE: A4 SCALE: 1:2