

1

2

3

4

5

6

7

8

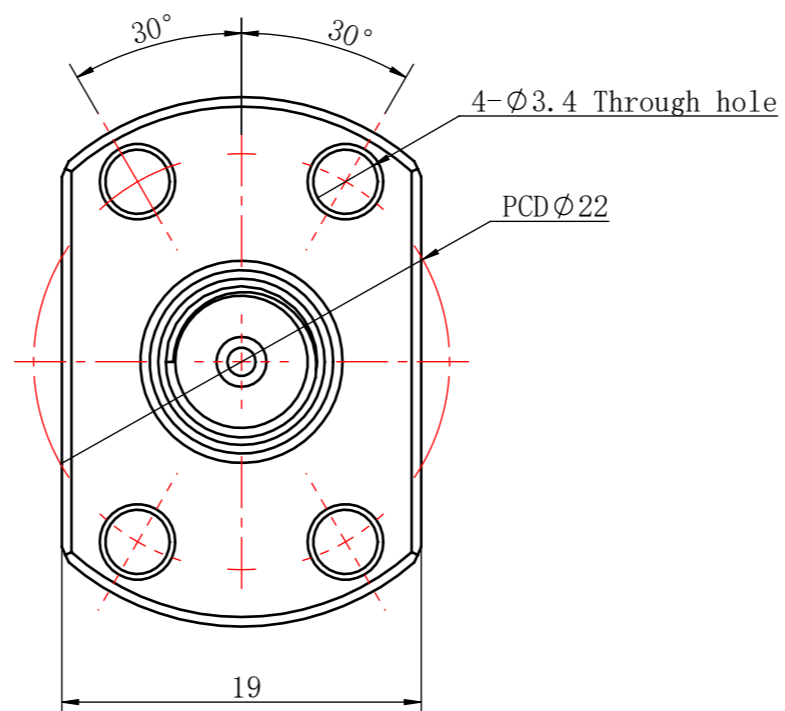
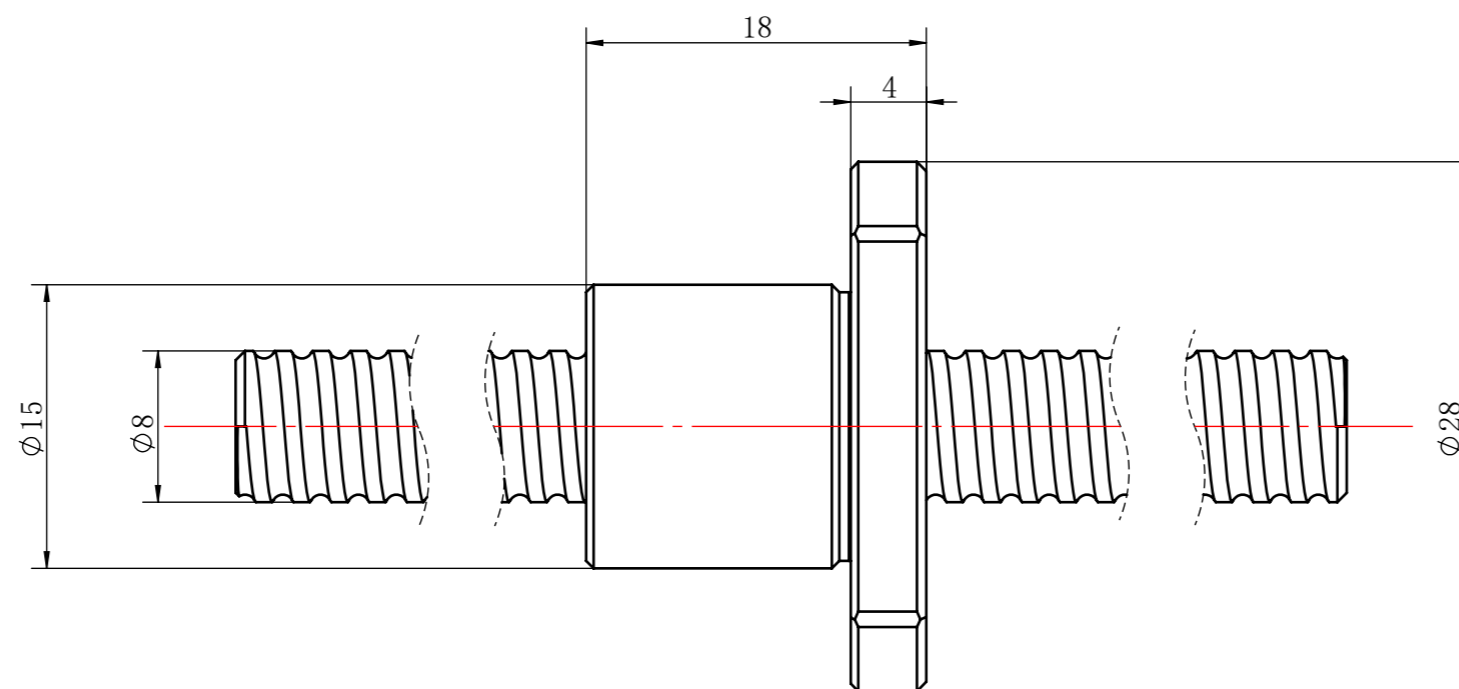
CHANGE

Revision

Date

Description

Approval



LINEAR		SPECIFICATION				CUSTOMER			
0.5~3	±0.1	B. C. D	Ø8.4	BALL SIZE	Ø1.2	C. MODLE			
>3~6	±0.1	SPACER BALL		LEAD	2	MODLE FBG0802			
>6~30	±0.2	ALLOW ROTATION NUMBER		LEAD ANGLE		NAME BALL SCREW			
>30~120	±0.3	LUBRICANT		NUMBER OF TURNSxROWS		WEIGHT			
>120~400	±0.5	O. C.	MAX. AXIAL Ca	THREAD DIRECTION/NUMBER OF THREAD		DESIGN			
>400~1000	±0.8		MAX. RPM			CHECK			
>1000~2000	±1.2	L. A.		DYNAMIC Ca (N)		SCALE			
ANGULAR				STATIC Coa (N)		UNITS		RATIFY	
~10	±1°			PRELORD TORQUE		mm		PAGE:	
>10~50	±30'			AXIAL PLAY		JIANGSU DINGS' INTELLIGENT CONTROL			
>50~120	±20'			SCREW MATERIAL					
>120~400	±10'	NUT MATERIAL							
		ACCURACY GRADE:							

1

2

3

4

5

6

7

8