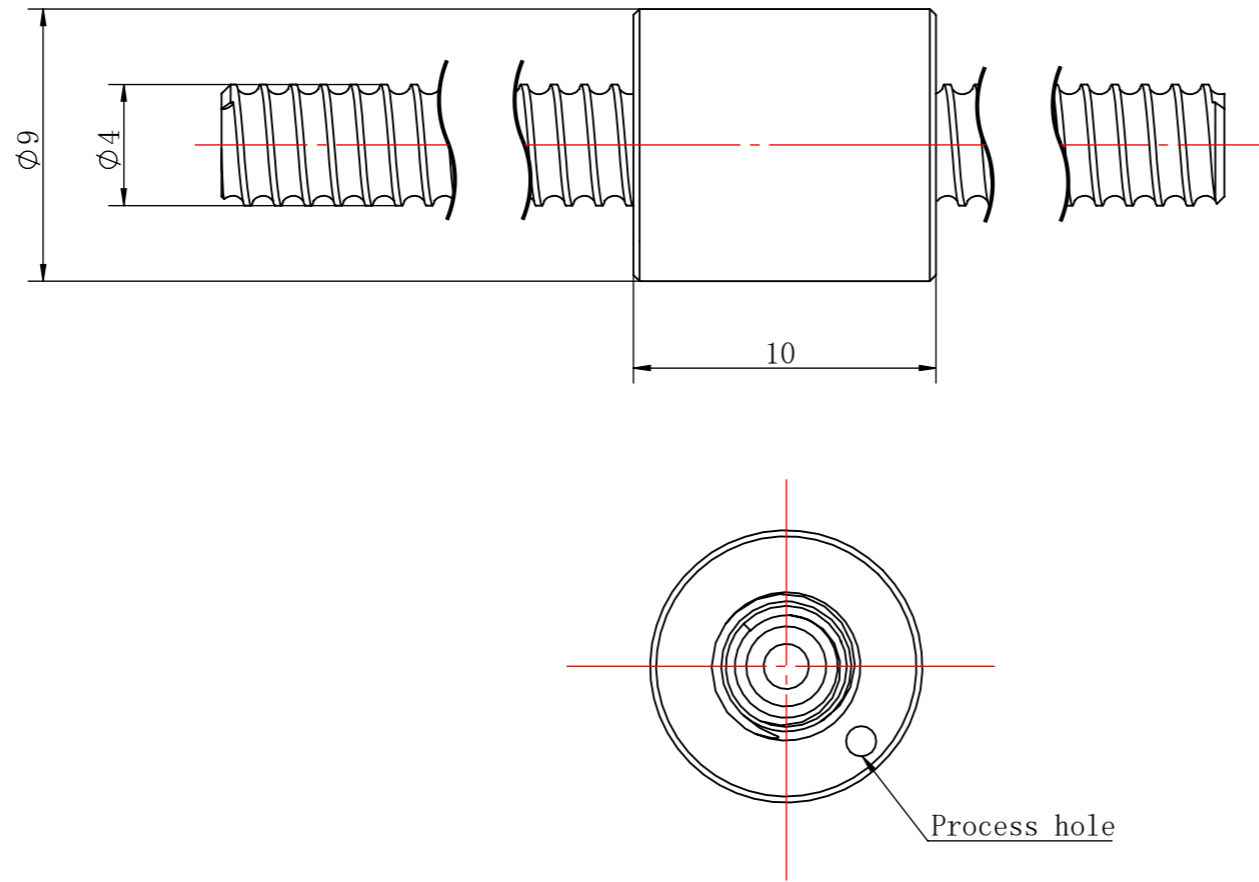


变更履历			
修订	日期	描述	批准



LINEAR		SPECIFICATION				CUSTOMER		
0.5~3	±0.1	B. C. D	Ø4.15	BALL SIZE	Ø0.8	C. MODLE		
>3~6	±0.1	SPACER BALL		LEAD	1	MODLE CBG0401		
>6~30	±0.2	ALLOW ROTATION NUMBER		LEAD ANGLE		NAME BALL SCREW		
>30~120	±0.3	LUBRICANT		NUMBER OF TURNSxROWS		WEIGHT		
>120~400	±0.5	O. C.	MAX. AXIAL Ca	THREAD DIRECTION/NUMBER OF THREAD		DESIGN		
>400~1000	±0.8		MAX. RPM		DYNAMIC Ca (N)	CHECK		
>1000~2000	±1.2	L. A.			STATIC Coa (N)	TOTAL:		
ANGULAR					PRELORD TORQUE	SCALE	PAGE:	
~10	±1°				AXIAL PLAY	UNITS	RATIFY	
>10~50	±30'				SCREW MATERIAL	JIANGSU DINGS' INTELLIGENT CONTROL		
>50~120	±20'	ACCURACY GRADE:						
>120~400	±10'							