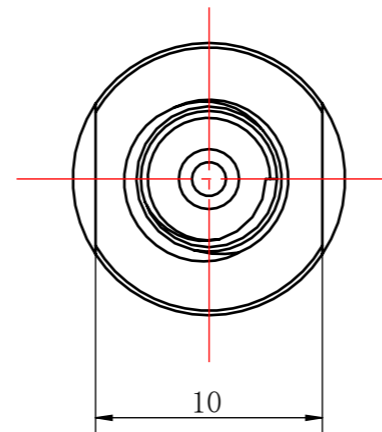
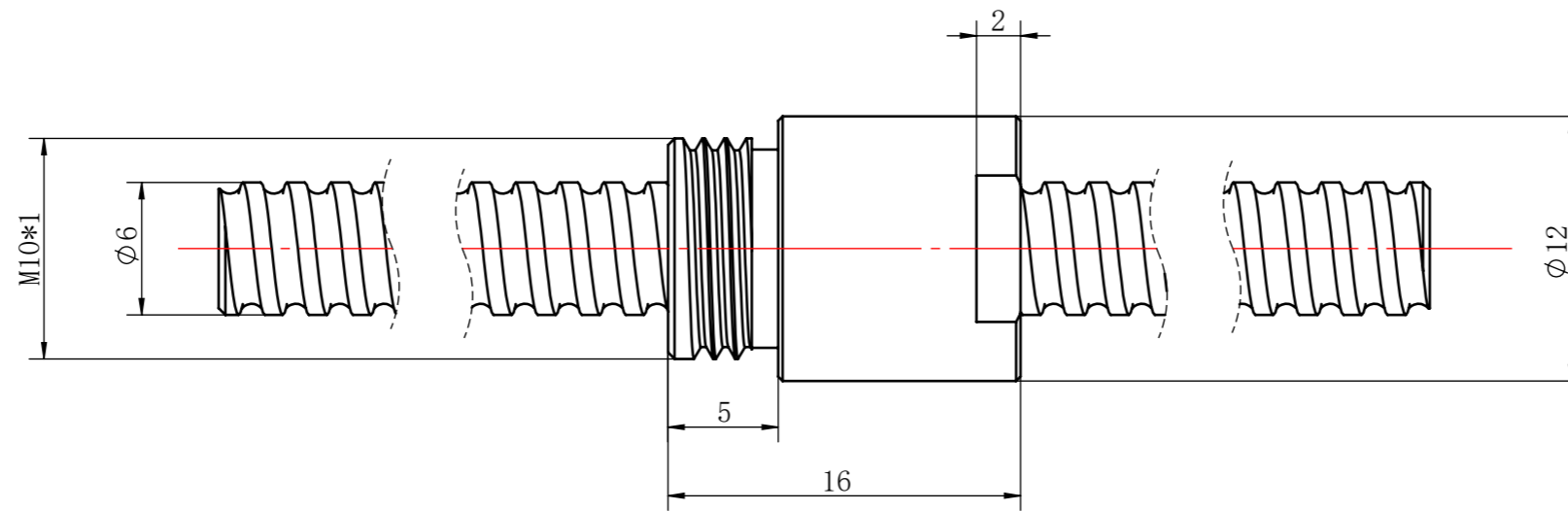


CHANGE

Revision	Date	Description	Approval
----------	------	-------------	----------



LINEAR		SPECIFICATION				CUSTOMER			
0.5~3	±0.1	B. C. D	Ø6.2	BALL SIZE	Ø1.2	C. MODLE			
>3~6	±0.1	SPACER BALL		LEAD	2	MODLE MBG0602			
>6~30	±0.2	ALLOW ROTATION NUMBER		LEAD ANGLE		NAME BALL SCREW			
>30~120	±0.3	LUBRICANT		NUMBER OF TURNSxROWS		WEIGHT			
>120~400	±0.5	O. C.	MAX. AXIAL Ca	THREAD DIRECTION/NUMBER OF THREAD		DESIGN			
>400~1000	±0.8		MAX. RPM		DYNAMIC Ca (N)	REV.			
>1000~2000	±1.2	L. A.			STATIC Coa (N)	SCALE			
ANGULAR					PRELORD TORQUE	CHECK		TOTAL:	
~10	±1°				AXIAL PLAY	RATIFY		PAGE:	
>10~50	±30'				SCREW MATERIAL	UNITS		mm	
>50~120	±20'				NUT MATERIAL			JIANGSU DINGS' INTELLIGENT CONTROL	
>120~400	±10'	ACCURACY GRADE:							