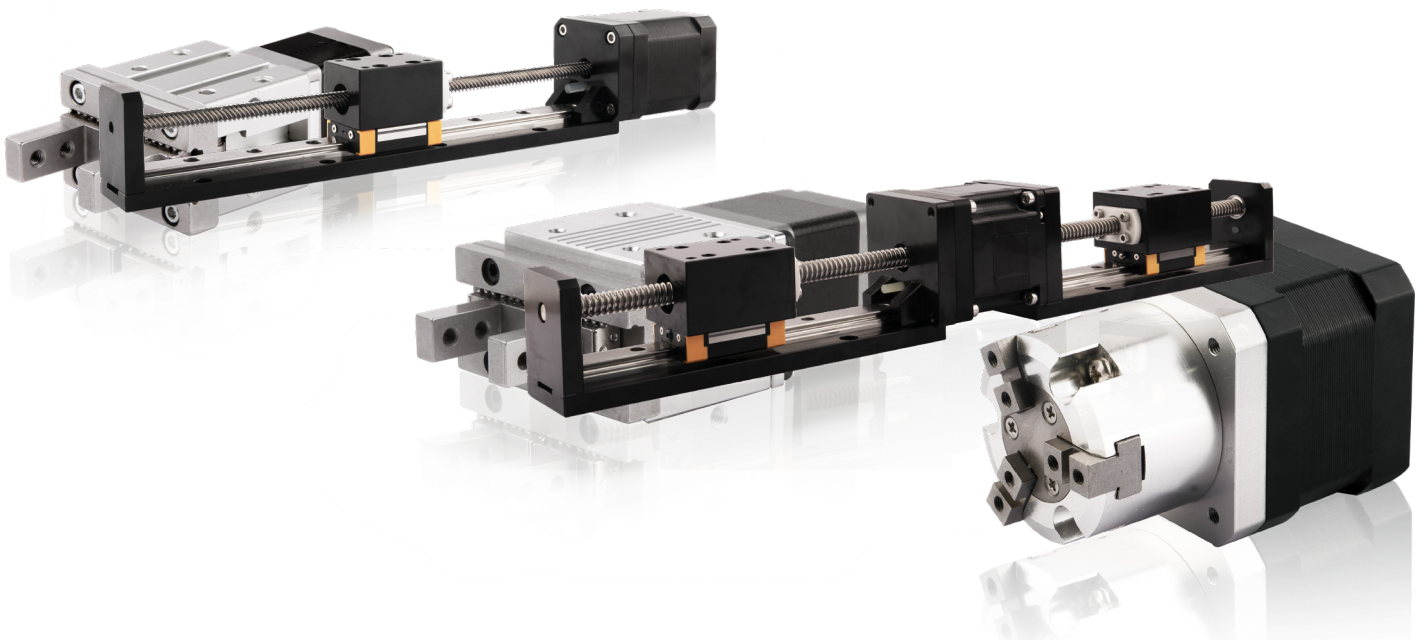


DINGS'

Precision Motion Specialist

GRIPPER SERIES

Jiangsu DINGS' Intelligent Control Technology Co., Ltd.





Founded in 2008, Jiangsu DINGS' Intelligent Control Technology Co., Ltd. is guided by the philosophy, **"Quality stems from responsibility, and details determine success."**

As a global leader in precision linear motion, DINGS' delivers a comprehensive portfolio of precision stepper, DC and BLDC motors, voice coil motors, lead and ball screw linear actuators, PMSM motors for eco-mobility, and advanced motion controllers — setting new benchmarks in the global motion control market.

SCALE

200+ Advanced Machining Equipment



20+ Automated Assembly Lines



100+ Precision Testing & Analysis Systems



140+ Patents & Intellectual Properties



GROWTH

2008 Company Founded & DINGS' Brand Established

2010 DINGS' Motion USA Established

2016 DINGS' Korea Established

2019 Joined LEILI Group

2021 Changzhou Intelligent Manufacturing Plant Established
Listed on China NEEQ Market

2022 Korea R&D Center Established

Listed on Beijing Stock Exchange [Stock Code: 920593]
2023 DINGS' Korea Converted to Corporate Entity
DINGS' Japan Established

2024 New Headquarters & Plant Established
DINGS' Motion Europe Established

2025 Thailand Manufacturing Facility Established

CERTIFICATIONS



PRODUCT WARRANTY

Warranty period: 1 year from shipment.

Free repair is provided for defects in materials or workmanship under normal use.

Warranty does not apply to:

- Warranty expiration or damaged/lost nameplates
- Improper installation or operating conditions
- Unauthorized disassembly or modification
- Repairs conducted outside of official service channels
- Force majeure, including natural disasters

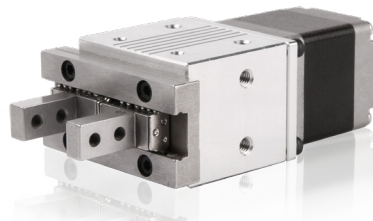
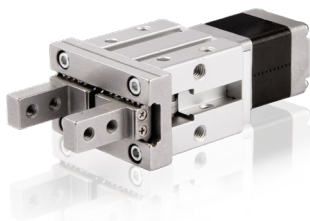
DINGS' is committed to quality, reliability, and responsibility

— delivering high-performance motion solutions built on precision engineering.

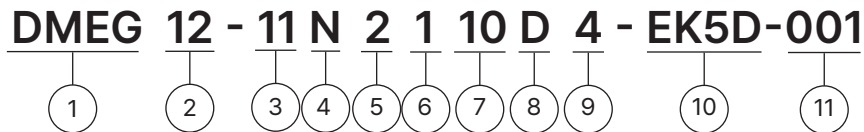
Content

GRIPPER SERIES

Part number construction	4
Gripper 20mm (Stroke Length 6mm)	5
Gripper 28mm (Stroke Length 6mm / 12mm)	7
35mm 3-Finger Gripper	10
42mm 3-Finger Gripper	12



Part Number Construction



① Product Name

Electric Gripper

② Stroke (mm)

12 = 12 mm

③ Motor Size

Motor Size (mm)	20	28	35	42
Motor Size (NEMA)	8	11	14	17

④ Motor Type

N = Non-Captive type

⑤ Motor Step Angle

2 = 2 Phase with 1.8°

⑥ Motor Length

1 = Single stack

2 = Double stack

⑦ Rated Current / Phase

XX = X.X (A) / Phase

⑧ Lead Screw Code

Please refer to lead screw code selection table

⑨ Number of Lead Wires

4 = 4 Flying leads

6 = 6 Flying leads

⑩ Option

EKX = Encoder [X = Encoder Resolution]

ER = Encoder Ready

⑪ Customer Sequence Number

Example

Part Number DMEG12-11N2110D4-EK5D-001

Description Electric Gripper
 12mm Stroke
 NEMA 11 Non-Captive Linear Actuator
 2 Phase / 1.8° Stepper
 Single Stack
 1.0A / Phase
 D Lead (0.05" or 1.27mm)
 4 Flying Wires
 EK5 Encoder with differential output 1,000 lines
 Serial Number 001

20mm Gripper (6mm Stroke)

Motor Characteristics

Motor	Voltage (V)	Current (A [RMS])	Resistance (Ω)	Inductance (mH)	Lead wire No.	Motor length (mm)
8N2105	2.5	0.5	5.1	1.5	4	27.2
8N2205	4.4	0.5	8.8	2.7	4	38.1

Available Lead Screw and Travel per Step

Screw Dia. (inch)	Screw Dia. (mm)	Lead (inch)	Lead (mm)	Lead Code	Travel Per Step @1.8° (mm)*
0.128	3.24	0.0394	1	AB	0.005
0.138	3.5	0.0787	2	G	0.01
0.138	3.5	0.1575	4	M	0.02

Gripping Force Recommendation

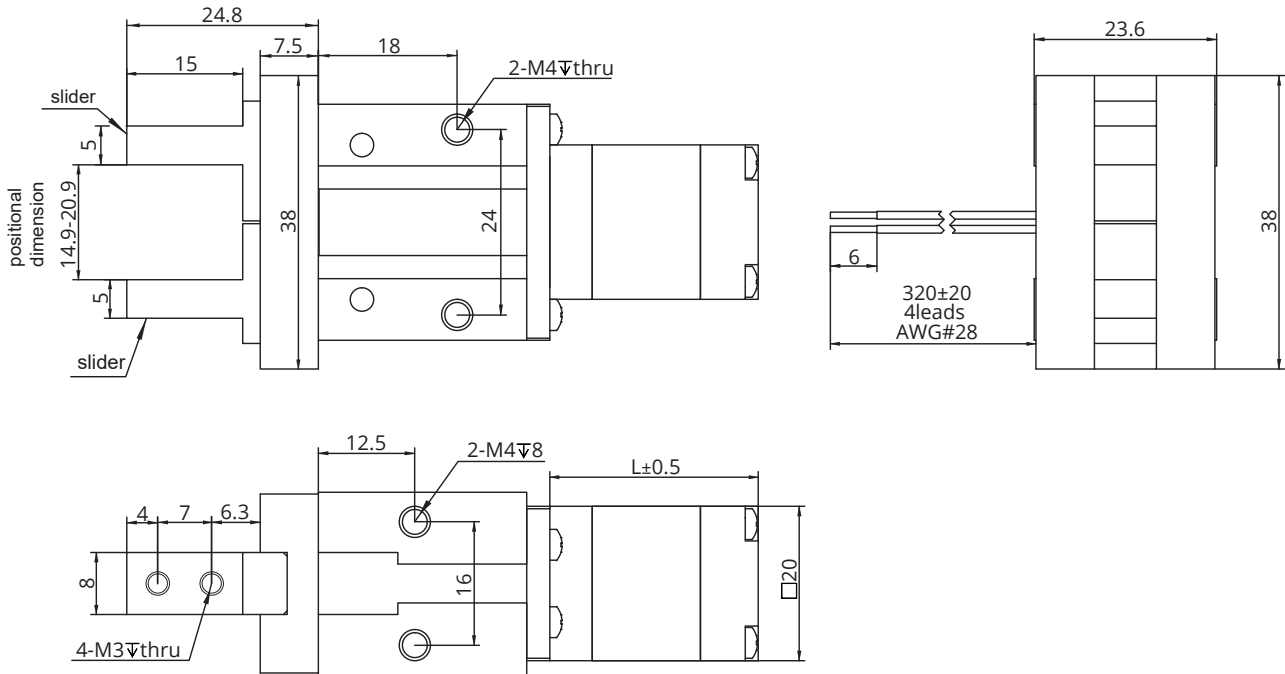
Motor Size	Body Length (mm)	Part Code	Stroke	Lead Code	Lead (mm)	Max. Gripping Force (N)	Recommended Gripping Force (N)
20mm	27.2	8N2105	6mm	AB	1	25	13
				G	2	21	11
				M	4	11	6
	38.1	8N2205	6mm	AB	1	50	25
				G	2	36	18
				M	4	32	16

Gripper Weight

Part Number	Weight (kg)
DMEG06-8N21	0.148
DMEG06-8N22	0.171

20mm Gripper (6mm Stroke)

Dimensional Drawings



28mm Gripper (6 / 12mm Stroke)

Motor Characteristics

Motor	Voltage (V)	Current (A _[RMS])	Resistance (Ω)	Inductance (mH)	Lead wire No.	Motor length (mm)
11N2105	4.5	0.5	9.1	6	4	33.5
11N2110	2.1	1	2.1	1.5	4	33.5
11N2210	4.1	1	4.1	4	4	45
11N2216	2.4	1.6	1.5	1.3	4	45

Available Lead Screw and Travel per Step

Screw Dia. (inch)	Screw Dia. (mm)	Lead (inch)	Lead (mm)	Lead Code	Travel Per Step @1.8° (mm)*
0.188	4.77	0.025	0.635	A	0.003175
0.188	4.77	0.05	1.27	D	0.00635
0.188	4.77	0.1	2.54	K	0.0127
0.188	4.77	0.2	5.08	R	0.0254

Gripping Force Recommendation

Motor Size	Body Length (mm)	Part Code	Stroke	Lead Code	Lead (mm)	Max. Gripping Force (N)	Recommended Gripping Force (N)
28mm	33.5	11N2105 / 2110	6 / 12 mm	A	0.635	110	55
				D	1.27	84	42
				K	2.54	56	28
				R	5.08	36	18
	45	11N2210 / 2216	6 / 12 mm	A	0.635	140	70
				D	1.27	120	60
				K	2.54	100	50
				R	5.08	60	30

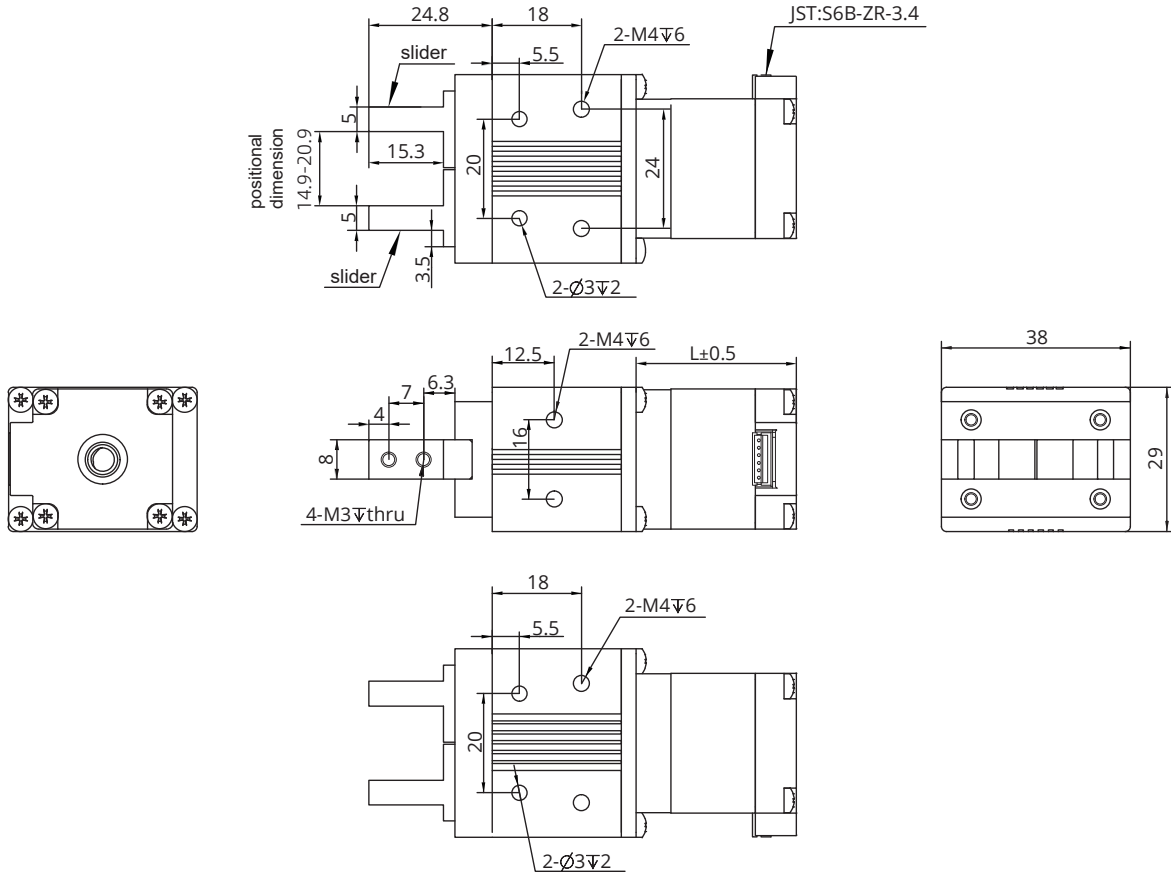
Motor Characteristics

Part Number	Weight (kg)
DMEG06-11N21	0.246
DMEG06-11N22	0.302
DMEG12-11N21	0.25
DMEG12-11N22	0.306

28mm Gripper (6 / 12mm Stroke)

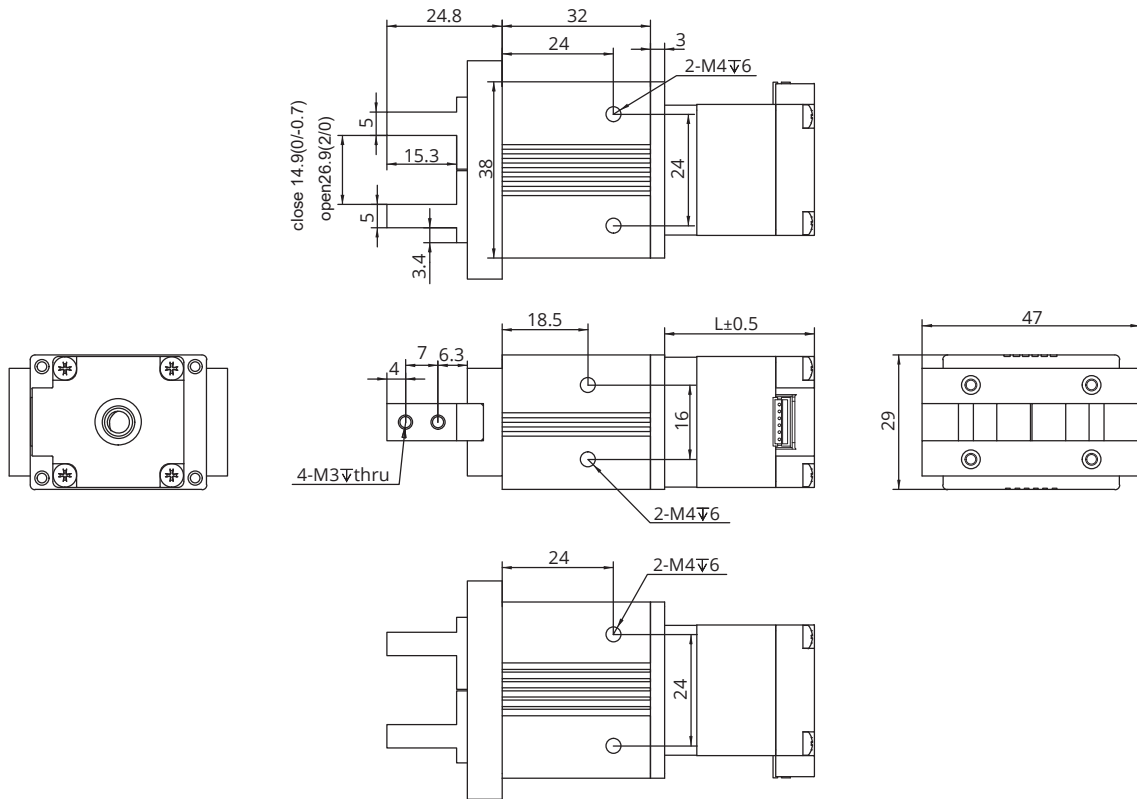
Dimensional Drawings

- 6mm Stroke



28mm Gripper (6 / 12mm Stroke)

- 12mm Stroke



35mm 3-Finger Gripper

Motor Characteristics

Motor	Voltage (V)	Current (A _{RMS})	Resistance (Ω)	Inductance (mH)	Weight (g)	Lead wire No.	Motor length (mm)
14N2105	6.6	0.5	13.2	14	189	4	33.6
14N2110	3.5	1	3.5	3.6	189	4	33.6
14N2115	2.7	1.5	1.8	1.9	189	4	33.6
14N2205	12	0.5	24	29	210	4	45.6
14N2210	6	1	6	7.2	210	4	45.6
14N2215	4	1.5	2.7	3.2	210	4	45.6

Available Lead Screw and Travel per Step

Screw Dia. (inch)	Screw Dia. (mm)	Lead (inch)	Lead (mm)	Lead Code	Travel Per Step @1.8° (mm)*
0.25	6.35	0.024	0.6096	AA	0.003
0.25	6.35	0.05	1.27	D	0.0064
0.25	6.35	0.1	2.54	K	0.0127
0.25	6.35	0.2	5.08	R	0.0254

Gripping Force Recommendation

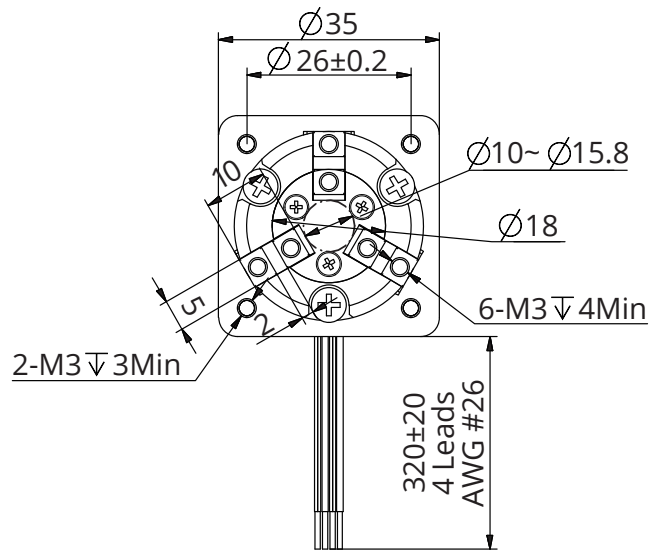
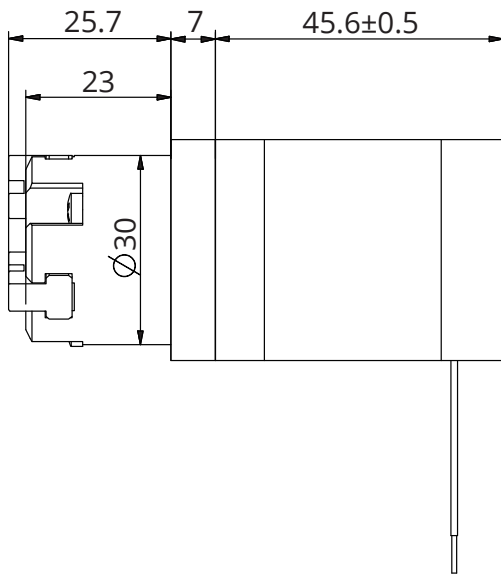
Motor Size	Body Length (mm)	Part Code	Stroke	Lead Code	Lead (mm)	Max. Gripping Force (N)	Recommended Gripping Force (N)
35mm	33.6	14N2105 / 2110 / 2115	6 mm	AA	0.6096	85	42.5
				D	1.27	73	36.5
				K	2.54	42	21
				R	5.08	21	10.5
	45.6	14N2205 / 2210 / 2215	6 mm	AA	0.6096	193	96.5
				D	1.27	184	92
				K	2.54	110	55
				R	5.08	67	33.5

Motor Characteristics

Part Number	Weight (kg)
DMEG06-14N21	0.227
DMEG06-14N22	0.248

35mm 3-Finger Gripper

■ Dimensional Drawings



42mm 3-Finger Gripper

Motor Characteristics

Motor	Voltage (V)	Current (A _{RMS})	Resistance (Ω)	Inductance (mH)	Weight (g)	Lead wire No.	Motor length (mm)
17N2105	7.2	0.5	14.4	19.8	254	4	34.1
17N2110	3.8	1	3.8	5	254	4	34.1
17N2115	2.85	1.5	1.9	2.2	254	4	34.1
17N2205	11	0.5	22	46	386	4	48.1
17N2212	4.5	1.2	3.8	8	386	4	48.1
17N2225	2.5	2.5	1	1.8	386	4	48.1

Available Lead Screw and Travel per Step

Screw Dia. (inch)	Screw Dia. (mm)	Lead (inch)	Lead (mm)	Lead Code	Travel Per Step @1.8° (mm)*
0.25	6.35	0.024	0.6096	AA	0.003
0.25	6.35	0.05	1.27	D	0.0064
0.25	6.35	0.1	2.54	K	0.0127
0.25	6.35	0.2	5.08	R	0.0254

Gripping Force Recommendation

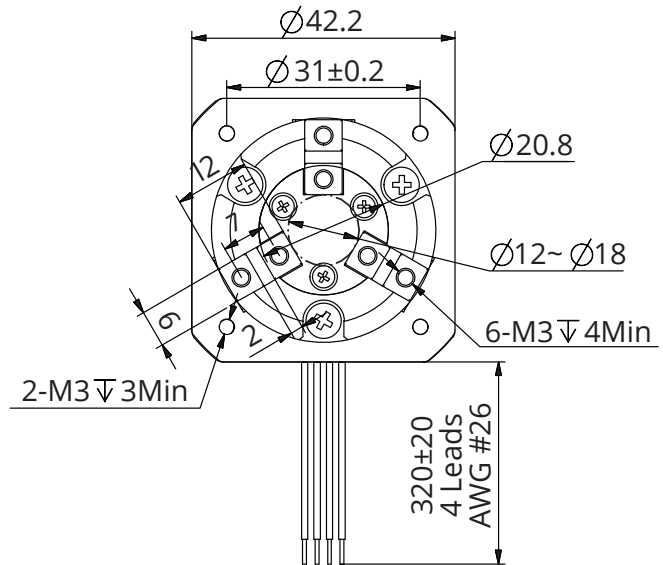
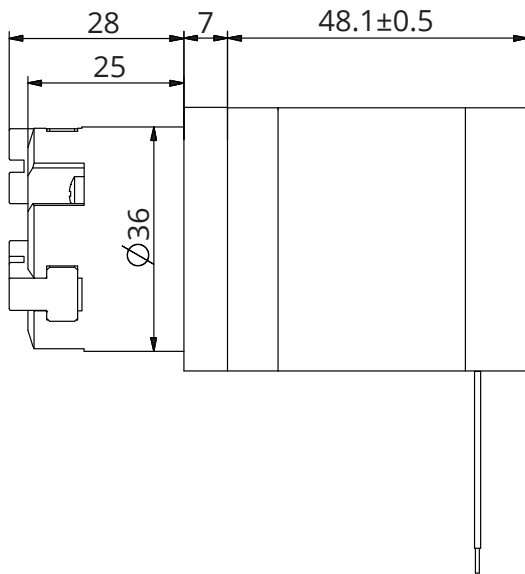
Motor Size	Body Length (mm)	Part Code	Stroke	Lead Code	Lead (mm)	Max. Gripping Force (N)	Recommended Gripping Force (N)
42mm	34.1	17N2105 / 2110 / 2115	6 mm	AA	0.6096	270	135
				D	1.27	163	81.5
				K	2.54	91	45.5
				R	5.08	56	28
	48.1	17N2205 / 2212 / 2225	6 mm	AA	0.6096	371	185.5
				D	1.27	336	168
				K	2.54	204	102
				R	5.08	146	73

Motor Characteristics

Part Number	Weight (kg)
DMEG06-17N21	0.33
DMEG06-17N22	0.462

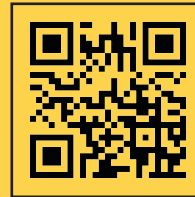
42mm 3-Finger Gripper

■ Dimensional Drawings

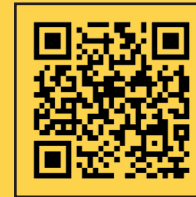




ENG Web



Partners Web



YouTube



HEADQUARTERS

Jiangsu DINGS' Intelligent Control Technology Co., Ltd.

No. 2850 Luheng Road, Changzhou Economic Development Zone, Jiangsu Province, China

Tel : +86-519-85177826

Fax : +86-519-85177807

E-mail : info@dingsmotion.com

www.dingsmotion.com

GLOBAL MANUFACTURING LOCATION

DINGS' Intelligent Control Technology (Thailand) Co., Ltd.

42/29 Moo 4, Uthai Subdistrict, Uthai District, Phra Nakhon Si Ayutthaya 13210, Thailand

Tel : +66 64-505-9951

SUBSIDIARIES

DINGS' Motion USA

355 Cochrane Circle Morgan Hill,
CA 95037

+1-408-612-4970

sales@dingsmotionusa.com

dingsmotionusa.com

DINGS' Motion Europe

4 Avenue du Grand Trémoutier
44120 Vertou, France

+33-(0)6-41-37-80-07

sebastien@dingsmotion.com

fr.dingsmotion.com

DINGS' Korea Co., Ltd.

C-702, 158 Haneulmaeul-ro, Ilsandong-gu,
Goyang-si, Republic of Korea

+82-31-994-0755

daniel@dingsmotion.com

dingsmotion.kr / dkps.co.kr / en.dkps.co.kr

INTERNATIONAL OFFICES

DINGS' Shenzhen Office

Room 1105, Block C, CIMC Industry Park,
Guangming District, Shenzhen, China

info@dingsmotion.com

DINGS' JAPAN

101, 2-27-18, Nishi-kojiya, Ota-ku, Tokyo
144-0034 JAPAN

+81-90-7730-0034

tsukahara@dingsmotion.com

jp.dingsmotion.com

© DINGS'. All rights reserved

No part of this catalog may be reproduced or distributed without prior written consent from DINGS'. Specifications, features, and designs are subject to change without prior notice for product improvement.

DINGS' reserves the right of final interpretation of this catalog and its products.